



GreenUp Wellglass

BY200P LED40 L-B/NW PSU

LED Module, system flux 3800 lm - Neutral white - Power supply unit

GreenUp LED Wellglass luminaire is designed to replace traditional WellGlass up to 70W with only 35% of the load for similar illumination. It is a perfect LED solution for outdoor application and industry of harsh condition like power plant, metal, and non hazardous area in chemical and petrochemical industry. Compared to conventional HID WellGlass, it improves reliability, comfort, while reducing energy and maintenance cost dramatically. GreenUp Wellglass comes with 2 different mounting, pipe and bracket, and comes with 2 beam, lambertian and batwing.

Product data

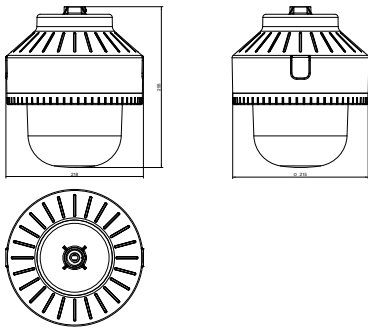
General Information		Operating and Electrical	
Lamp family code	LED38S [LED Module, system flux 3800 lm]	ENEC mark	-
Light source color	Neutral white	UL mark	-
Light source replaceable	No	Constant light output	Yes
Number of gear units	1 unit	Spare parts available	No
Gear	-	Controls and Dimming	
Driver/power unit/transformer	Power supply unit	Input Voltage	220-240 V
Driver included	Yes	Input Frequency	50 to 60 Hz
Optic type	Wide beam	Power Factor (Nom)	0.95
Optical cover/lens type	Polycarbonate bowl/cover frosted	Mechanical and Housing	
Luminaire light beam spread	120°	Housing Material	Metal
Connection	-		
Protection class IEC	Safety class I		
Glow-wire test	Temperature 650 °C, duration 30 s		
Flammability mark	-		
CE mark	-		

GreenUp Wellglass

Optic material	Polycarbonate
Approval and Application	
Ingress protection code	IP65 [Dust penetration-protected, jet-proof]
Mech. impact protection code	IK08 [5 J vandal-protected]
Initial Performance (IEC Compliant)	
Luminous flux tolerance	+/-7.5%
Init. Corr. Color Temperature	4000 K
Initial chromaticity	-
Initial input power	38 W
Power consumption tolerance	+/-10%
Over Time Performance (IEC Compliant)	
Median useful life L70B50	50000 h

Application Conditions	
Ambient temperature range	-30 to +40 °C
Maximum dim level	Not applicable
Product Data	
Full product code	911401563821
Order product name	BY200P LED40 L-B/NW PSU
Order code	911401563821
Numerator - Quantity Per Pack	1
Numerator - Packs per outer box	1
Material Nr. (12NC)	911401563821
Net Weight (Piece)	2.699 kg

Dimensional drawing



GreenUp Wellglass BY200P

